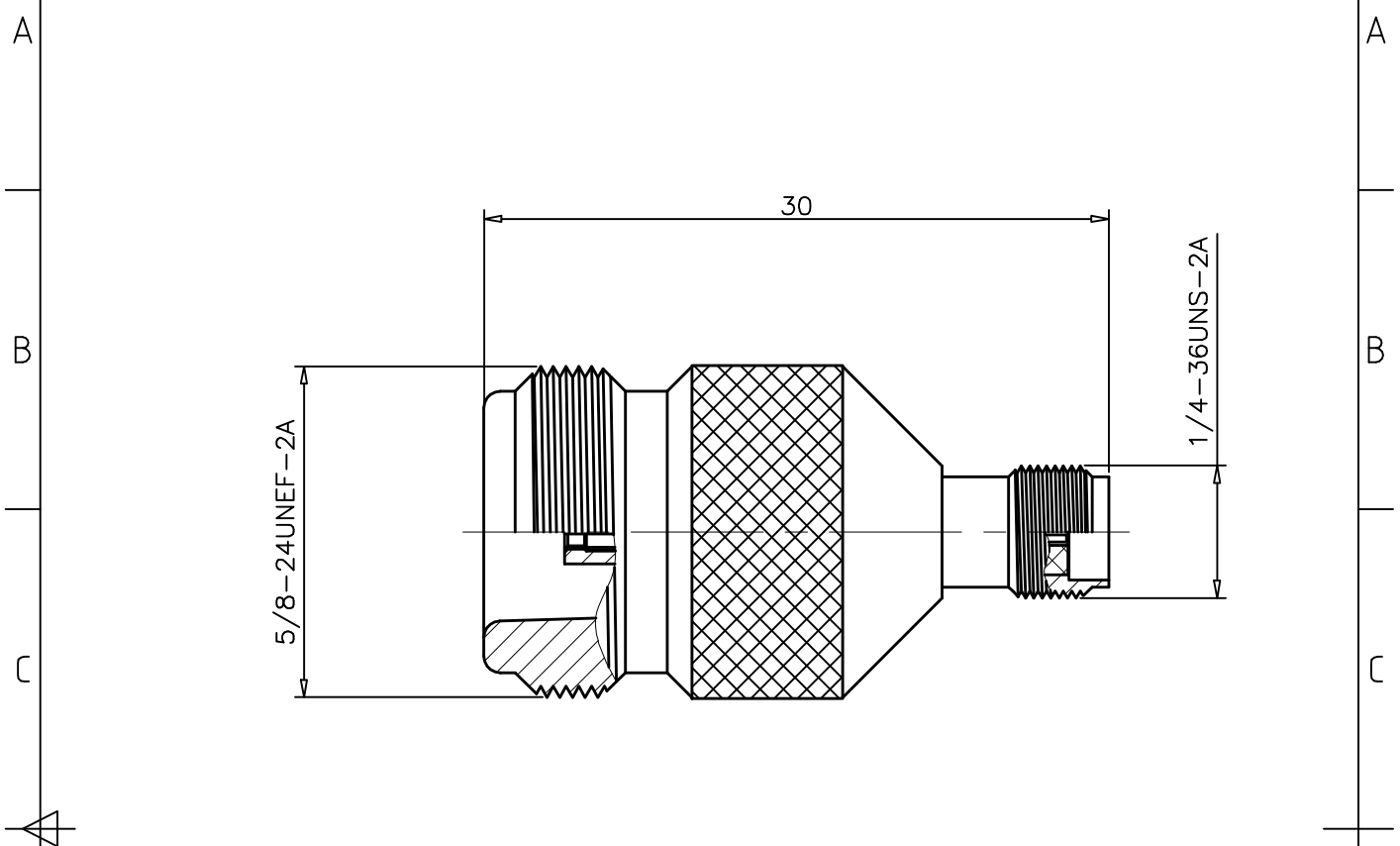


1	2	3	4	
RevNo	Revision note	Date	Signature	Checked
00	Sketch Only	6/27/14	Teresa	Simon



Material & Finishing:

1. Center condutor: Beryllium, Gold Plating
2. Insulators: PTFE
3. Body : Brass, Nickel Plating

RoHS Compliant.

ALL DIMENSIONS ARE IN MILLIMETERS AND [INCHES]

KERUI ELECTRONIC CO;LTD		Title N female to SMA female				
THESE DRAWING & SPEC. ARE THE PROPERTY OF KERUI ELECTRONIC CO;LTD AND SHALL NOT BE REPRODUCED, OR COPIED OR USED AS THE BASIS FOR THE MANUFACTURE OR SALE OF APPARATUS OR DEVICES WITHOUT THEIR EXPRESS WRITTEN CONSENT.	UNLESS OTHERWISE NOTED ALL SURFACES FINISHED TO 64/MAX.		Drawn by Teresa	Ckd by Simon	Appd by Richard	Date 6/27/2014
	ALL TOLERANCES ARE: DECIMALS x ± 1.0 x.x ± 0.5 x.xx ± 0.1	FRACTIONS ±1/64	ANGLES x' ± 1° x'x' ± 0.5°	Scale 3:1	Sheet 1 of 1	A8010 11 2121 01